

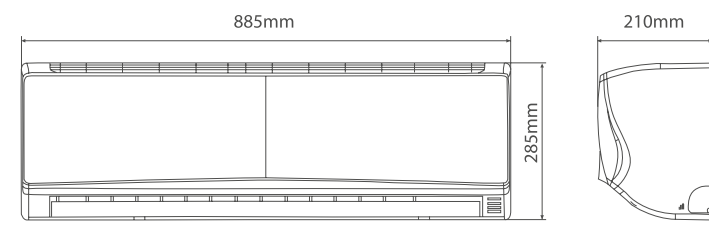
Deluxe INVERTER V

9K
D09AK
12K
D12AK

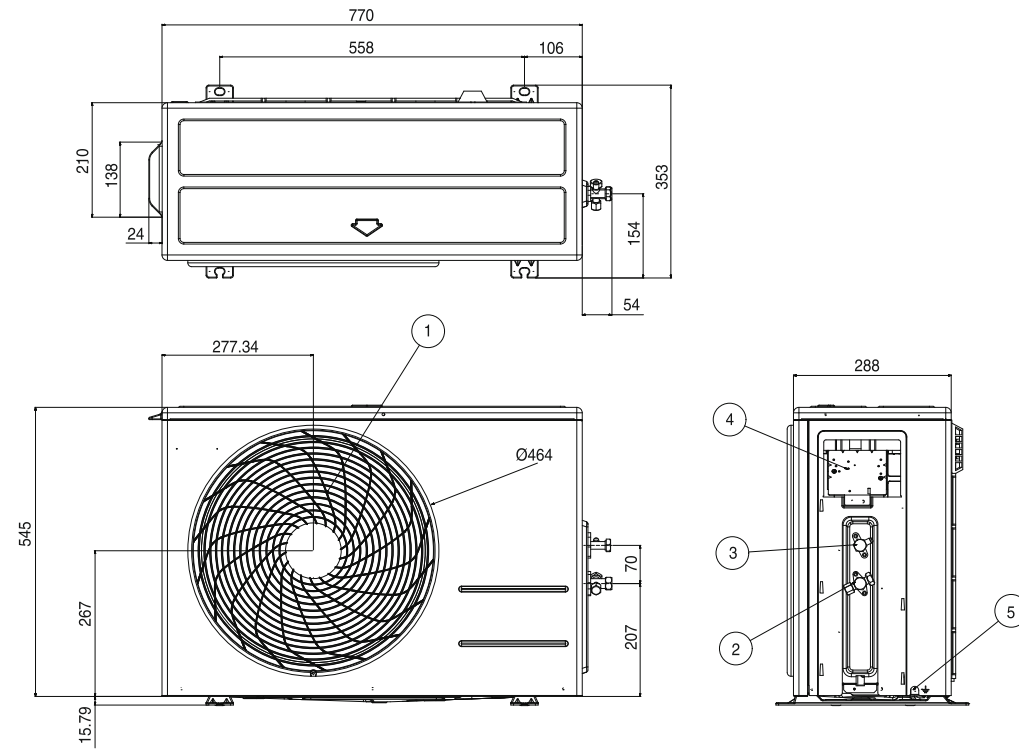


Unit				9K		12K	
Model Outdoor Unit				D09AK ASUW096BNS3		D12AK ASUW126BNS3	
Model Indoor Unit				D09AK ASNW096BNS3		D12AK ASNW126BNS3	
Indoor Unit							
Capacity	Cooling	Min	W	890	890	3500	3500
		Rated	W	2500	2500	4040	4040
		Max	W	3700	3700	4040	4040
	Heating +7°C	Min	W	890	890	3500	3500
		Rated	W	3200	3200	4000	4000
		Max	W	5000	5000	6000	6000
Power Input	Cooling	Rated	W	3200	3200	3800	3800
		Max	W	550	550	880	880
		Rated	W	700	700	960	960
	Heating +7°C	Rated	W	4.55	4.55	3.98	3.98
		Max	W/W	6.2	6.2	6.1	6.1
		Rated	W/W	2.5	2.5	3.5	3.5
EER	Cooling	Rated	W/W	4.57	4.57	4.17	4.17
		Max	W/W	4.0	4.0	4.0	4.0
		Rated	W/W	3.2	3.2	4.0	4.0
S.E.E.R.	Heating	Rated	W/W	4.0	4.0	4.0	4.0
		Max	W/W	3.2	3.2	4.0	4.0
		Rated	W/W	4.0	4.0	4.0	4.0
P design C	Cooling	Rated	W/W	4.0	4.0	4.0	4.0
		Max	W/W	3.2	3.2	4.0	4.0
		Rated	W/W	4.0	4.0	4.0	4.0
S.C.O.P.	Heating	Rated	W/W	4.0	4.0	4.0	4.0
		Max	W/W	3.2	3.2	4.0	4.0
		Rated	W/W	4.0	4.0	4.0	4.0
Energy Label	Cooling	Rated	W/W	4.0	4.0	4.0	4.0
		Max	W/W	3.2	3.2	4.0	4.0
		Rated	W/W	4.0	4.0	4.0	4.0
Annual Energy Consumption	Cooling	Rated	kWh	1120	1120	1400	1400
		Max	kWh	142	142	201	201
		Rated	kWh	1120	1120	1400	1400
Sound Pressure	Cooling	Sleep	dB(A)	19	19	19	19
		Low	dB(A)	23	23	23	23
		Medium	dB(A)	33	33	33	33
	High	dB(A)	38	38	38	38	
		Low	dB(A)	23	23	23	23
		Medium	dB(A)	33	33	33	33
Sound Power	Cooling	High	dB(A)	38	38	39	39
		Low	dB(A)	23	23	23	23
		Max (Power)	dB(A)	57	57	57	57
Air Flow Rate	Cooling	Sleep	m ³ /min	3.5	3.5	3.5	3.5
		Low	m ³ /min	5.5	5.5	5.5	5.5
		Medium	m ³ /min	8	8	8	8
	High	m ³ /min	10	10	10	10	
		Max (Power)	m ³ /min	12	12	12	12
		Low	m ³ /min	6.5	6.5	6.5	6.5
Dehumidification Rate	Cooling	Rated	l/h	1.1	1.1	1.3	1.3
		Max	l/h	2.6	2.6	4.1	4.1
		Rated	l/h	6.0	6.0	6.0	6.0
Running Current	Heating	Rated	A	3.2	3.2	4.4	4.4
		Max	A	8.0	8.0	8.0	8.0
		Rated	A	2.6	2.6	4.1	4.1
Starting Current	Cooling	Rated	A	3.2	3.2	4.4	4.4
		Max	A	8.0	8.0	8.0	8.0
		Rated	A	2.6	2.6	4.1	4.1
Power Supply	Circuit Breaker	Rated	A	15	15	15	15
		Max	A	31.0	31.0	31.0	31.0
		Rated	A	41.0 (Including Earth)	41.0 (Including Earth)	41.0 (Including Earth)	41.0 (Including Earth)
Power Supply Cable	Power & Transmission Cable	Rated	N x mm ²	41.0 (Including Earth)	41.0 (Including Earth)	41.0 (Including Earth)	41.0 (Including Earth)
		Max	N x mm ²	885285210	885285210	885285210	885285210
		Rated	N x mm ²	11	11	11	11
Dimension	Fan Motor Output	Rated	W	20	20	20	20
		Max	W	20	20	20	20
		Rated	W	20	20	20	20
Outdoor Unit							
Operation Range	Cooling	Min-Max	°CDB	-10~48	-10~48	-10~48	-10~48
		Min-Max	°CWB	-15~24	-15~24	-15~24	-15~24
		High	dB(A)	45	45	45	45
Sound Pressure	Heating	High	dB(A)	45	45	45	45
		Low	dB(A)	45	45	45	45
		High	dB(A)	65	65	65	65
Sound Power	Cooling	High	dB(A)	33	33	33	33
		Low	dB(A)	2	2	2	2
		Max	dB(A)	20	20	20	20
Air Flow Rate	Cooling	Min	m ³ /min	10	10	10	10
		Max	m ³ /min	6.35	6.35	6.35	6.35
		Rated	m ³ /min	(1/4)	(1/4)	(1/4)	(1/4)
Piping	Liquid	OD(Outside)	mm	9.52	9.52	9.52	9.52
		OD(Outside)	inch	(3/8)	(3/8)	(3/8)	(3/8)
		Rated	mm	21.5	21.5	21.5	21.5
Piping Connection	Gas	OD(Outside)	inch	0.85	0.85	0.85	0.85
		OD(Outside)	mm	21.5	21.5	21.5	21.5
		Rated	inch	0.85	0.85	0.85	0.85
Refrigerant	Type	Rated	g	R410A	R410A	R410A	R410A
		Max	g	1000	1000	1000	1000
		Rated	g/m	20	20	20	20
Fan Motor Output	Compressor Type	Rated	W	43	43	43	43
		Max	W	43	43	43	43
		Rated	W	32.3	32.3	32.3	32.3
Net Weight	Dimension	Rated	kg	11	11	11	11
		Max	kg	770545288	770545288	770545288	770545288
		Rated	mm	770545288	770545288	770545288	770545288

INDOOR UNIT - ASNW096BNS3 / ASNW126BNS3



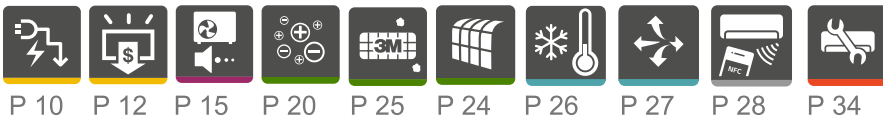
OUTDOOR UNIT - ASUW096NRR0 / ANUW126NRR0



(Unit: mm)

Item No.	Part Name
1	Air Discharge Grille
2	Gas Pipe Connection Port
3	Liquid Pipe Connection Port
4	Control Box
5	Earth Screw

18K
D18RL
24K
D24RL



Unit				18K		24K	
Model Outdoor Unit				D18RL ASUW1862WR0		D24RL ASUW2462WR0	
Model Indoor Unit				D18RL ASNW1862WR0		D24RL ASNW2462WR0	
Indoor Unit							
Capacity	Cooling	Min	W	900	900	6800	6800
		Rated	W	5525	5525	7420	7420
		Max	W	900	900	900	900
	Heating	Min	W	900	900	900	900
		Rated	W	5800	5800	8000	8000
		Max	W	6438	6438	8640	8640
Power Input	Cooling	Rated	W	3800	3800	4850	4850
		Max	W	1,562	1,562	2,193	2,193
		Rated	W	1,611	1,611	2,285	2,285
	Heating +7°C	Rated	W	3.20	3.20	3.10	3.10
		Max	W/W	6.1	6.1	6.1	6.1
		Rated	W/W	5.0	5.0	6.8	6.8
EER	Cooling	Rated	W/W	3.60	3.60	3.50	3.50
		Max	W/W	4.0	4.0	3.8	3.8
		Rated	W/W	4.1	4.1	5.5	5.5
S.E.E.R.	Heating	Rated	W/W	4.1	4.1	5.5	5.5
		Max	W/W	3.2	3.2	4.0	4.0
		Rated	W/W	4.0	4.0	4.0	4.0
P design C	Cooling	Rated	W/W	4.0	4.0	4.0	4.0
		Max	W/W	3.2	3.2	4.0	4.0
		Rated	W/W	4.0	4.0	4.0	4.0
S.C.O.P.	Heating	Rated	W/W	4.0	4.0	4.0	4.0
		Max	W/W	3.2	3.2	4.0	4.0
		Rated	W/W	4.0	4.0	4.0	4.0
Energy Label	Cooling	Rated	W/W	4.0	4.0	4.0	4.0
		Max	W/W	3.2	3.2	4.0	4.0
		Rated	W/W	4.0	4.0	4.0	4.0
Annual Energy Consumption	Cooling	Rated	kWh	1435	1435	2027	2027
		Max	kWh	287	287	391	391
		Rated	kWh	1435	1435	2027	2027
Sound Pressure	Cooling	Sleep	dB(A)	29	29	29	29
		Low	dB(A)	35	35	35	35
		Medium	dB(A)	40	40	40	40
	High	dB(A)	42	42	42	42	
		Low	dB(A)	35	35	35	35
		Medium	dB(A)	40	40	40	40
Sound Power	Cooling	High	dB(A)	42	42	45	45
		Low	dB(A)	35	35	35	35
		Max (Power)	dB(A)	60	60	65	65
Air Flow Rate	Cooling	Sleep	m ³ /min	8	8	8	8
		Low	m ³ /min	11	11	11	11
		Medium	m ³ /min	14	14	14	14
	High	m ³ /min	15	15	17	17	
		Max (Power)	m ³ /min	19	19	23	23
		Low	m ³ /min	11.5	11.5	11.5	11.5
Dehumidification Rate	Cooling	Rated	l/h	15	15	15	15
		Max	l/h	16	16	18.5	18.5
		Rated	l/h	1.8	1.8	2.5	2.5
Running Current	Heating	Rated	A	7.2	7.2	10	10
		Max	A	9	9	10.6	10.6
		Rated	A	7.5	7.5	10.2	10.2
Starting Current	Cooling	Rated	A	9.5	9.5	11	11
		Max	A	7.2	7.2	10	10
		Rated	A	7.5	7.5	10.2	10.2
Power Supply	Circuit Breaker	Rated	A	25	25	25	25
		Max	A	31.5	31.5	31.5	31.5
		Rated	A	41.0 (Including Earth)	41.0 (Including Earth)	41.0 (Including Earth)	41.0 (Including Earth)
Power Supply Cable	Power & Transmission Cable	Rated	N x mm ²	4 x 1.0 (Including Earth)	4 x 1.0 (Including Earth)	4 x 1.0 (Including Earth)	4 x 1.0 (Including Earth)
		Max	N x mm ²	1090 330 248	1090 330 248	1090 330 248	1090 330 248
		Rated	N x mm ²	14.5	14.5	14.5	14.5
Dimension	Fan Motor Output	Rated	W	20	20	20	20
		Max	W	20	20	20	20
		Rated	W	20	20	20	20
Outdoor Unit							
Operation Range	Cooling	Min-Max	°CDB	-10~48	-10~48	-10~48	-10~48
		Min-Max	°CWB	-10~24	-10~24	-10~24	-10~24
		High	dB(A)	51	51	51	51
Sound Pressure	Heating	High	dB(A)	53	53	53	53
		Low	dB(A)	53	53	53	53
		High	dB(A)	65	65	70	70
Sound Power	Cooling	High	dB(A)	32	32	32	32
		Low	dB(A)	-	-	-	-
		Max	dB(A)	20	20	20	20
Air Flow Rate	Cooling	Min	m ³ /min	10	10	10	10
		Max	m ³ /min	6.35	6.35	6.35	6.35
		Rated	m ³ /min	(1/4)	(1/4)	(1/	