

ARTCOOL INVERTER V

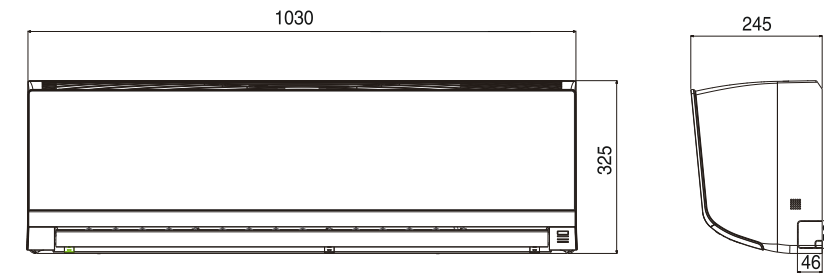
18K
A18RL



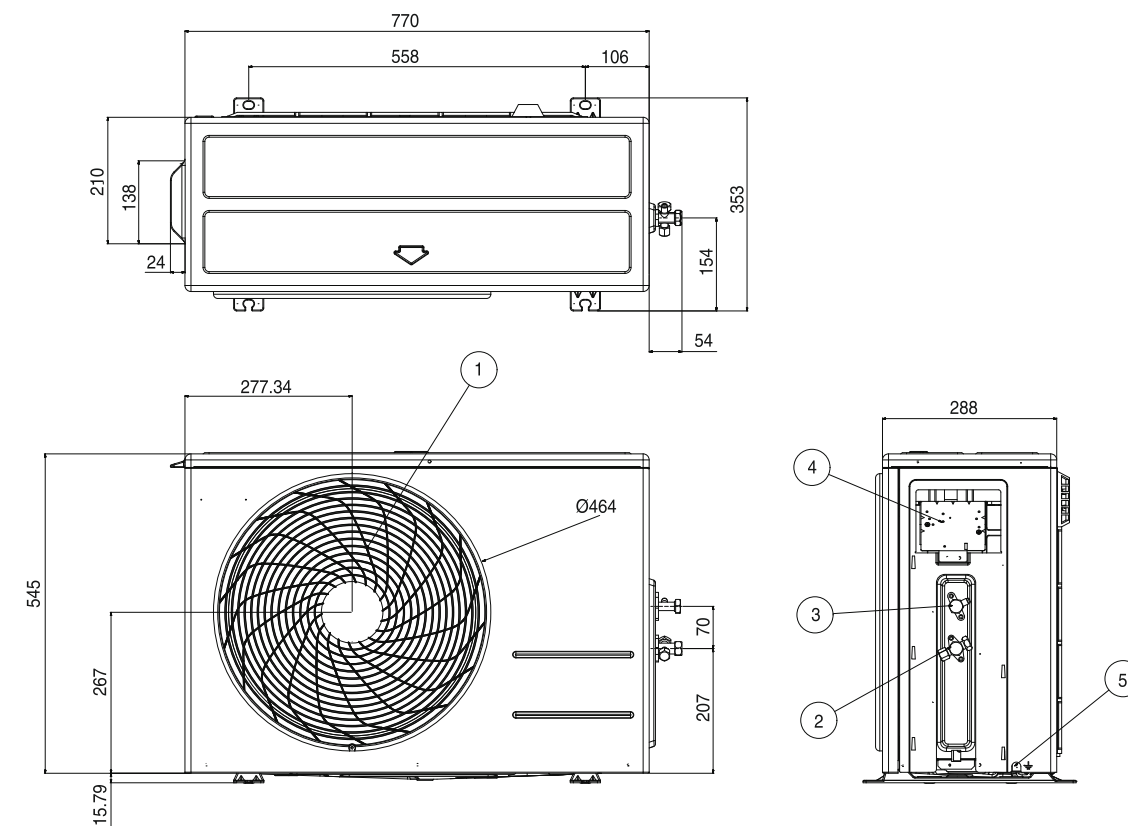
P 10 P 14 P 15 P 20 P 22 P 24 P 27 P 34

Unit				18K	
Model Outdoor Unit		A18RL ASUW186CRR4			
Model Indoor Unit		A18RL ASNW186CRR4			
Indoor Unit					
Capacity	Cooling	Min	W	900	
		Rated	W	5200	
		Max	W	6000	
	Heating	Min	W	900	
		Rated	W	6300	
		Max	W	9000	
Power Input	Heating -7°C	Rated	W	5400	
	Cooling	Rated	W	1,500	
	Heating +7°C	Rated	W	1,650	
EER			W/W	3.47	
S.E.E.R.				6.1	
P design C			kW	5.2	
COP			W/W	3.82	
S.C.O.P.				3.8	
P design H			Kw	5.2	
Energy Label	Cooling			A++	
	Heating			A	
Annual Energy Consumption	Cooling		kWh	299	
	Heating		kWh	1916	
Sound Pressure	Cooling	Sleep	dBA	29	
		Low	dBA	35	
		Medium	dBA	40	
	Heating	High	dBA	42	
		Low	dBA	35	
		Medium	dBA	40	
Sound Power	Cooling	High	dBA	42	
	Heating	High	dBA	60	
Air Flow Rate	Cooling	Sleep	m3/min	8.5	
		Low	m3/min	10.5	
		Medium	m3/min	12.5	
	Heating	High	m3/min	14.5	
		Max (Power)	m3/min	19	
		Low	m3/min	10.5	
Dehumidification Rate	Medium	m3/min	12.5		
	High	m3/min	14.5		
Running Current			A	2	
Starting Current	Cooling	Rated	A	6.6	
		Max	A	7.8	
	Heating	Rated	A	7.3	
Power Supply	Circuit Breaker	Max	A	9.4	
		Rated	A	6.6	
Power Supply Cable	Power & Transmission Cable	Rated	A	7.3	
		Max	A	9.4	
Dimension			/ V Hz	1 / 220-240 / 50	
Net Weight				20	
Fan Motor Output			N x mm ²	3 x 1.5	
Outdoor Unit	Operation Range	Min~Max	°CDB	-10~48	
		Min~Max	°CWB	-15~24	
Sound Pressure	Cooling	High	dBA	54	
		Heating	dBA	54	
Sound Power	Cooling	High	dBA	65	
	Heating	High	dBA	50	
Air Flow Rate	Piping	Length (Odu/Idu)	m	-	
		Min	m	20	
Piping Connection	Liquid	Max	m	10	
		Min	m	10	
Refrigerant	Type	OD(Outside)	mm	6.35	
		OD(Outside)	inch	(1/4)	
Fan Motor Output	Compressor Type	Gas	mm	12.7	
		OD(Outside)	inch	(1/2)	
Net Weight	Additional charge	Drain	mm	21.5	
		OD(Outside)	inch	0.85	
Dimension	Type	Charge at 7.5m	g	1350	
		Additional charge	g/m	20	
Compressor Type	Net Weight	W	W	85	
		kg		44	
Dimension	Type	W	W	85	
		mm		870 655320	

INDOOR UNIT - ASUW186CRR4



OUTDOOR UNIT - ASUW186CRR4



(Unit: mm)

Item No.	Part Name
1	Air Discharge Grille
2	Gas Pipe Connection Port
3	Liquid Pipe Connection Port
4	Control Box
5	Earth Screw